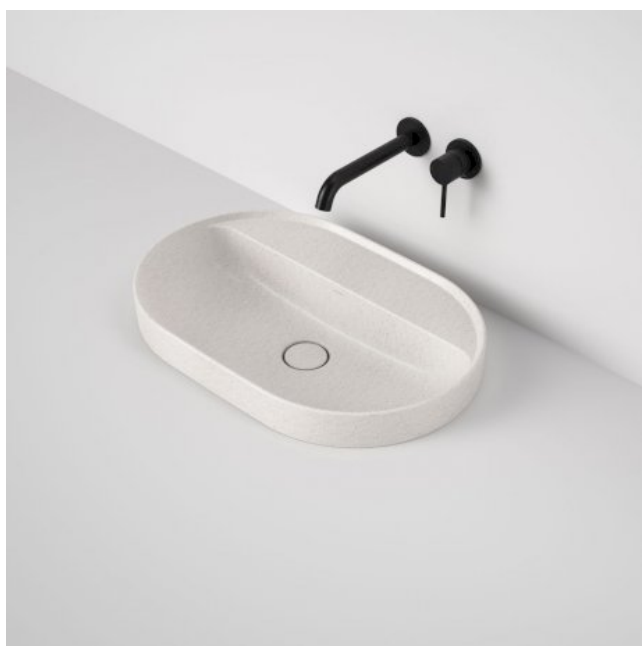


Liano II 600mm Pill Inset Basin with Tap Landing (0 Tap Hole) – Matte Speckled (Special Order)

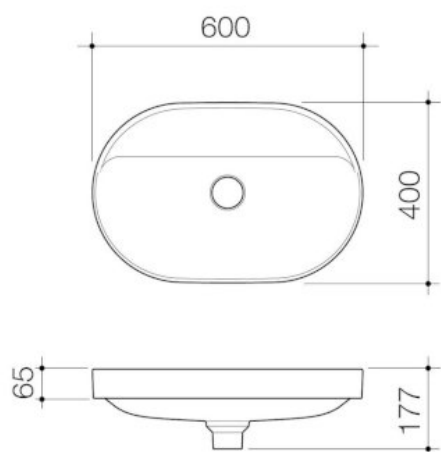


Model Number : 853100MS

PRODUCT DESCRIPTION

The Liano II Basin range is a collection of fashionable basins that allow you to select a style and colour finish to suit your own personal taste, but also deliver to your functional needs. Available in popular round and pill shapes with contemporary thin rim design and in a range of matte colour finishes, the Liano II basin range is the collection you need to make a statement in your bathroom. Optional pop-up plug & wastes and new dress rings are available in Chrome, Matte Black, PVD Brushed Nickel, PVD Brushed Brass and PVD Gunmetal to match with Liano II tapware.

PRODUCT FEATURES



- **Available from November 2021
- Crafted from highly durable fine fire clay
- Thin rim design for a contemporary look
- Smooth stain-resistant surface
- Available in gloss white, matte black and matte white finishes
- Other matte finishes in green, grey, pink and speckled are available as special order
- Basins are supplied with ceramic pop-up waste plugs in matching colours, also compatible with Urbane II basin pop-up plugs and wastes (codes 687330-)
- For round shape see codes 852400-
- Also available in no tap landing 530-mm-wide (codes 852700-) and 1 tap hole 600mm-wide (code 853110-) versions
- Non-overflow only
- Australian designed and engineered
- 20-year warranty
- Match with Liano II tapware, or full Urbane II bathroom collection

- Elevate the look with Liano II metal dress rings in matching finishes with tapware (codes 687034–, sold separately)